



PIZZA OVEN 3 BASE



Stand for PIZ3 Oven, Casters, Two Shelves, Stainless Steel Construction



PROJECT _____

ITEM NO. _____

NOTES _____

MODEL NUMBER: **PIZ3B**



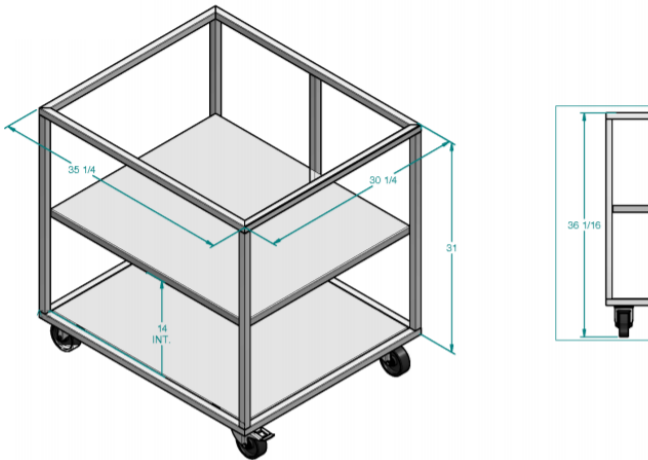
CONSTRUCTION

- Stainless Steel Construction
- Heavy Duty Casters for Mobility
- Stainless Steel Shelves for Storage (2)

WARRANTY

- One Year Parts

DRAWINGS



Model	Crated Weight	Overall Dimensions		
		W	D	H
PIZ3B	185 (84)	35 1/4" (896)	30 1/4" (769)	36 1/6" (918)

