



# PLANETARY MIXER



**Planetary Mixer, Floor Model, 140 Quart Capacity, 20 Speeds, 99 Minute Mixing Timer, (7) Programmable Speed & Time Settings, Emergency Stop, Electric Bowl Lifting, Includes Stainless Steel Bowl, Safety Guard, Dough Hook, Whip & Flat Beater, Cast Iron Frame with Enamel Coated Steel Finish, (4) Stationary Casters, 5 1/3 HP, cETLus, ETL-Sanitation**



PROJECT \_\_\_\_\_

ITEM NO. \_\_\_\_\_

NOTES \_\_\_\_\_

MODEL NUMBER: **B T L 1 4 0**



**FEATURES**

- Includes 140 Quart Stainless Steel Bowl, Dough Hook, Wire Whip, Flat Beater, and Ingredient Chute
- Unique Easy to Use Digital Control
  - 20 Speeds (no need to stop mixer to change speed)
  - 99 Minute Mixing Timer
  - 7 Programmable Speed & Time Settings
- Emergency Stop
- Wire Guard for Bowl Featuring Automatic Motor Cut-Off Switch
- Thermal Overload Protection for Motor
- Electric Bowl Lifting System (standard)
- Non-Slipping Belt

**CONSTRUCTION**

- Heavy Duty Frame with Lead-Free Enamel Coating
- S/S Legs to Prevent Rusting
- Carbon Steel Frame
- Four Inline Casters for Easy Moving
- Quick Locking Anti-Vibration Device to Secure Mixer

**OPTIONS & ACCESSORIES**

- Stainless Steel Construction [Suffix I]
- Dolly [BTL140D]
- Vegetable & Pepperoni Slicer Attachment [SM100CL]
- Meat Grinder Attachment [SM100HV]

**CLEARANCES**

- 6" (152mm) On All Sides
- Top & Bottom Must Remain Unobstructed
- Note Additional Clearance Requirements if Utilizing #12 Hub Attachment

**WARRANTY**

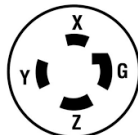
- One Year Labor & Two Year Parts



Model	Weight	Overall Dimensions			Motor	Hub	Dough Capacity (55% AR)
		W	D	H			
BTL140	1399 (635)	37.79" (960)	49 3/16" (1249)	82.48" (2095)	5	YES	210 lbs (96 kg)

Model	Electrical System			
	Volts	Amps	Phase	NEMA
BTL100	208	20	3	L15-30P
	240			

**NEMA L15-30P**



SPECIFICATIONS SUBJECT TO CHANGE WITHOUT NOTICE

KCL & REVIT DRAWINGS UPON REQUEST

REVISION B | 5/13/2021

Follow Us



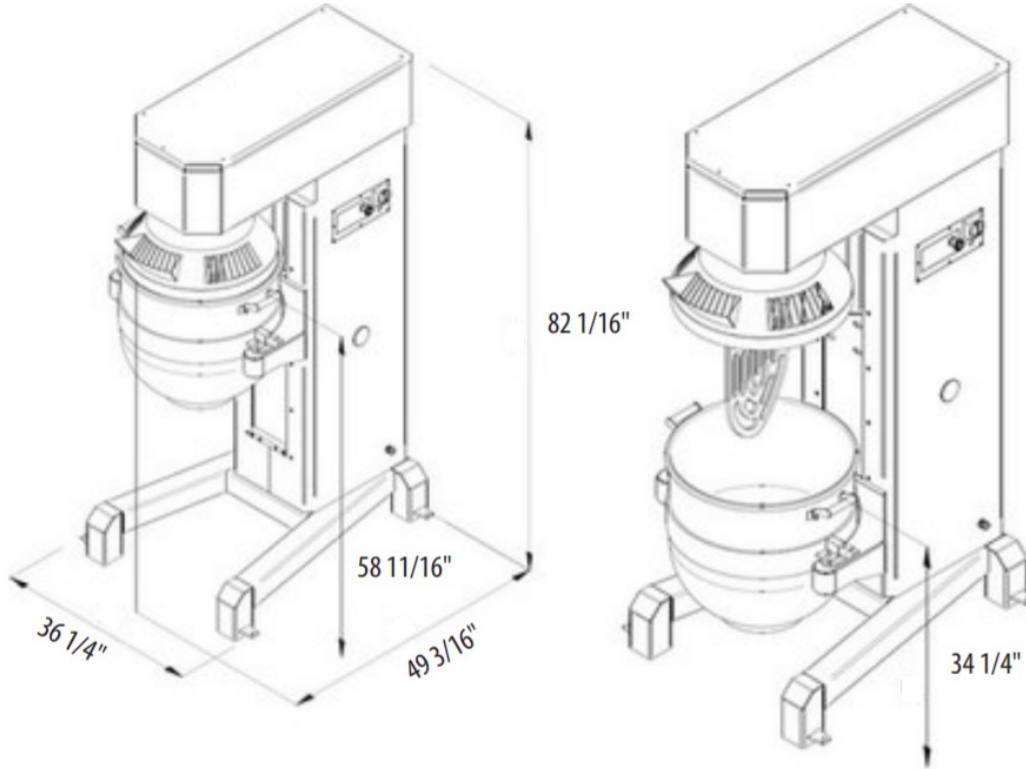
Doyon

5600 13th Street, Menominee, MI 49858

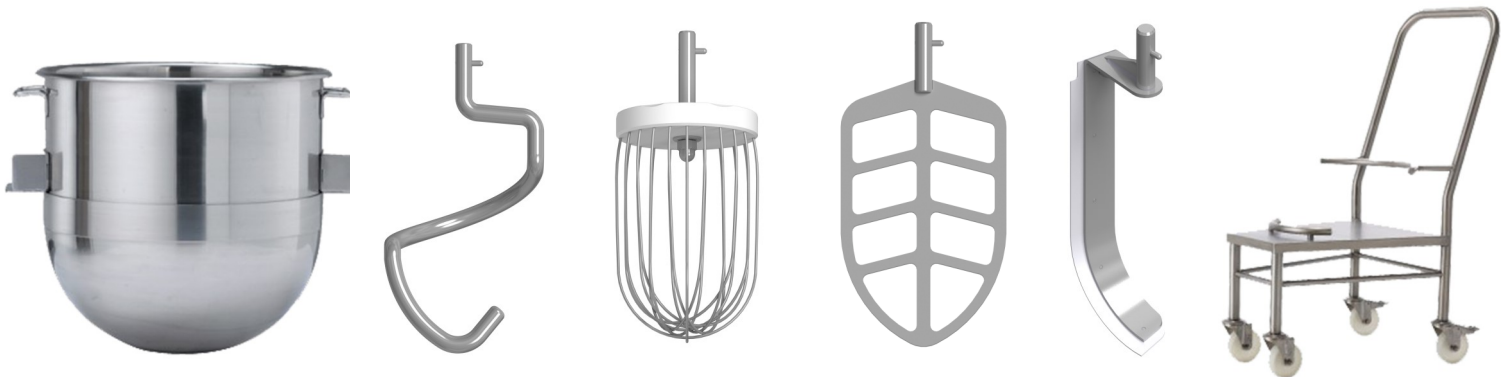
906.863.4401 | 800.338.9886 | www.doyon.qc.ca



## DRAWINGS



## ATTACHMENTS



**BTL140B**

**BTL140C**

**BTL140F**

**BTL140P**

**BTL140S**

**BTL0140D**

Due to periodic changes in designs, methods, procedures, policies and regulations, the specifications contained in this sheet are subject to change without notice. While Doyon exercises good faith efforts to provide information that is accurate, we are not responsible for errors or omissions in information provided or conclusions reached as a result of using these specifications. By using the information provided, the user assumes all risks in connection with such use.

